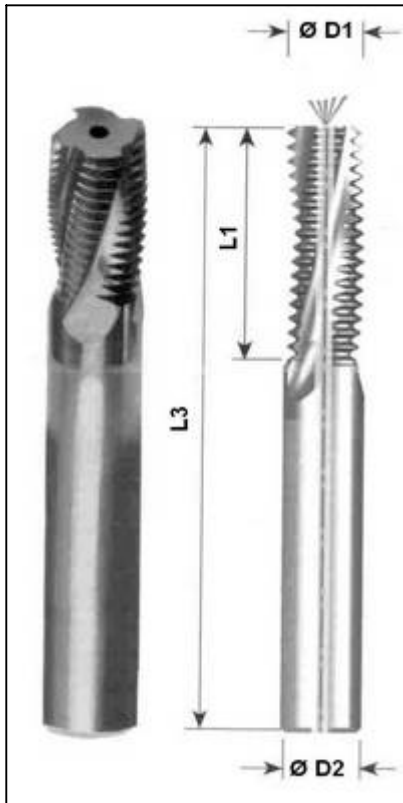


Thread milling cutters with straight shank and int. coolant (solid carbide)



In case of ordering please specify pitch

D1	L1	D2 h6	Z	L3	Price / unit
10	10	10	4	70	210 €
10	15	10	4	70	224 €
10	20	10	4	70	238 €
10	25	10	4	70	252 €
12	12	12	4	80	238 €
12	16	12	4	80	252 €
12	25	12	4	80	264 €
16	16	16	5	95	266 €
16	25	16	5	95	280 €
16	32	16	5	95	308 €
20	20	20	5	105	294 €
20	25	20	5	105	308 €
20	32	20	5	105	322 €
20	40	20	5	105	378 €
25	20	25	6	135	495 €
25	32	25	6	135	550 €
25	40	25	6	135	595 €
25	50	25	6	135	695 €
25	60	25	6	135	795 €
25	70	25	6	135	895 €

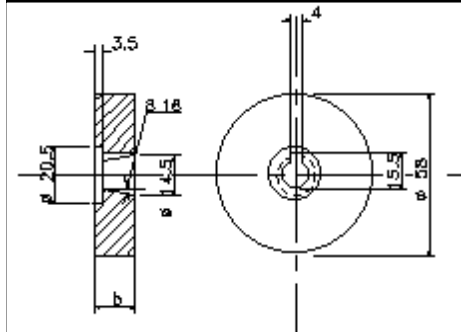
Milling cutters with pitch 1,75 - 3 mm bzw. 12 - 8 TPI +20%

Milling cutters with taper thread +20%

Price for special dimensions upon request

Because of technical reasons we can not produce solid carbide thread milling cutters with a pitch less then 0.5 mm or 32 TPI !

Gildemeister GS 16 / 20 (ø 58)



Width "b"	Price / unit
15/6 mm	230 €
15/8 mm	240 €
15/10 mm	270 €
15/12 mm	300 €
15 mm	310 €

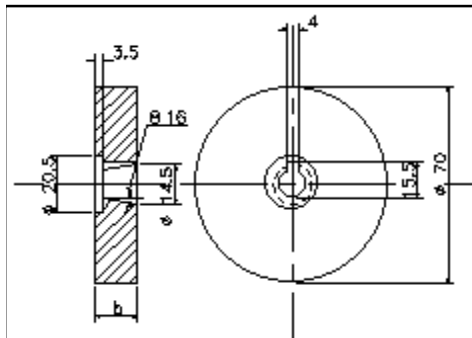
Price for special dimensions upon request

Tapered milling cutters (e.g. DIN2999, NPT, etc.) 15% surcharge

Please specify pitch angle when ordering

Prices incl. alloyage surcharge

Gildemeister GM 16 (ø 70)



Width "b"	Price / unit
15/6 mm	330 €
15/8 mm	340 €
15/10 mm	360 €
15/12 mm	380 €
15 mm	420 €

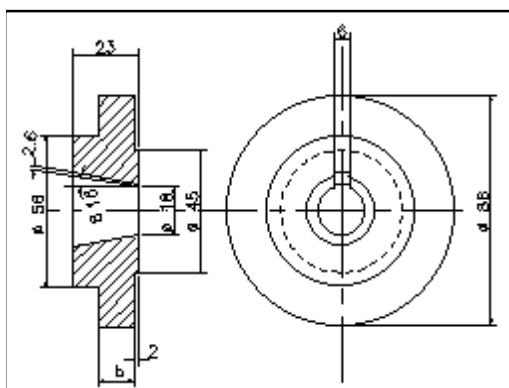
Price for special dimensions upon request

Tapered milling cutters (e.g. DIN2999, NPT, etc.) 15% surcharge

Please specify pitch angle when ordering

Prices incl. alloyage surcharge

Gildemeister GS 20/ GM20 / MORI-SAY (ø 86)



Width "b"	Price / unit
23/6 mm	440 €
23/8 mm	460 €
23/10 mm	470 €
23/13 mm	500 €
23/15 mm	510 €
23/19 mm	530 €
23/21 mm	570 €

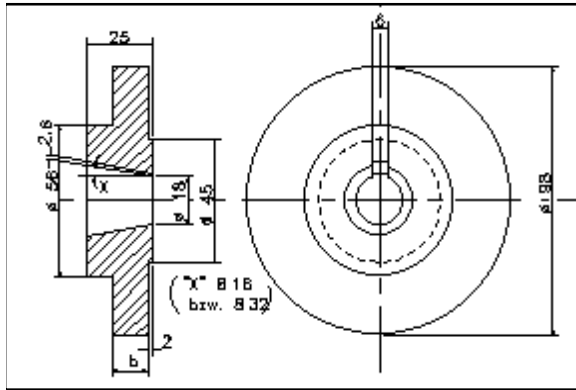
Price for special dimensions upon request

Tapered milling cutters (e.g. DIN2999, NPT, etc.) 15% surcharge

Please specify pitch angle when ordering

Prices incl. alloyage surcharge

Gildemeister GM 32 / 35, GM 42 (ø 98)



Width "b"	Price / unit
25/8 mm	510 €
25/10 mm	530 €
25/13 mm	570 €
25/15 mm	580 €
25/19 mm	600 €
25/21 mm	640 €
25/25 mm	670 €

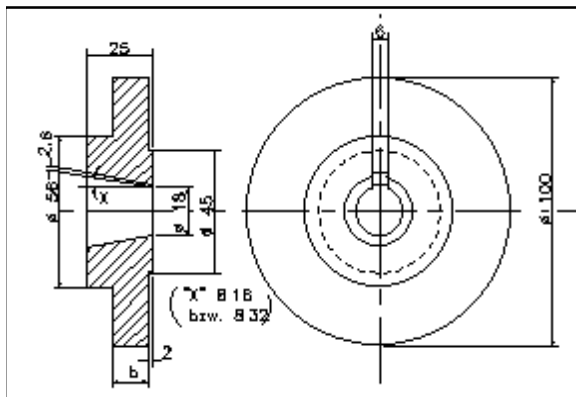
Prices incl. alloyage surcharge

Price for special dimensions upon request

Tapered milling cutters (e.g. DIN2999, NPT, etc.) 15% surcharge

Please specify pitch angle when ordering

Gildemeister AS 32 / 48 / 67 (ø 100)



Width "b"	Price / unit
25/8 mm	560 €
25/10 mm	580 €
25/13 mm	620 €
25/15 mm	630 €
25/19 mm	650 €
25/21 mm	700 €
25/25 mm	730 €

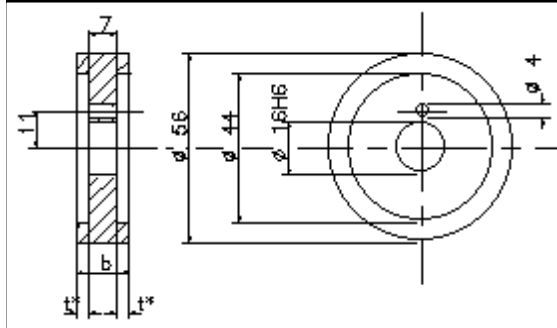
Prices incl. alloyage surcharge

Price for special dimensions upon request

Tapered milling cutters (e.g. DIN2999, NPT, etc.) 15% surcharge

Please specify pitch angle when ordering

Index DG 12 / 20, DO 20 (ø 56)



Width "b"	Price / unit
6 mm	230 €
8 mm	260 €
10 mm	300 €
12 mm	320 €
15 mm	340 €
16 mm	350 €
18 mm	360 €

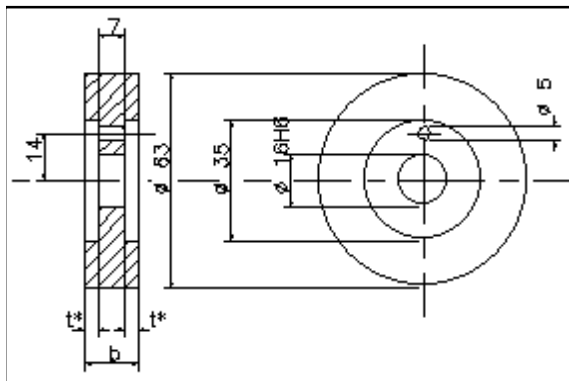
Price for special dimensions upon request

Prices incl. alloyage surcharge

Tapered milling cutters (e.g. DIN2999, NPT, etc.) 15% surcharge

Please specify pitch angle when ordering

Index A 12 / 18 / 25, C 19 / 29, KR 30, ER (ø 63)



Width "b"	Price / unit
6 mm	260 €
8 mm	300 €
10 mm	320 €
12 mm	330 €
15 mm	360 €
16 mm	380 €
18 mm	390 €

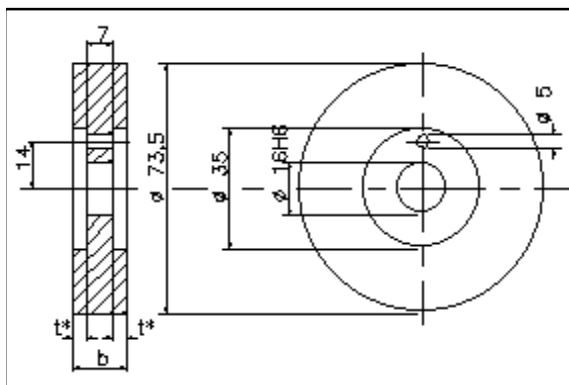
Price for special dimensions upon request

Prices incl. alloyage surcharge

Tapered milling cutters (e.g. DIN2999, NPT, etc.) 15% surcharge

Please specify pitch angle when ordering

Index B 30 / 42 / 60, MS 25 (ø 73.5)



Width "b"	Price / unit
6 mm	290 €
8 mm	310 €
10 mm	320 €
12 mm	350 €
15 mm	420 €
16 mm	430 €
18 mm	480 €

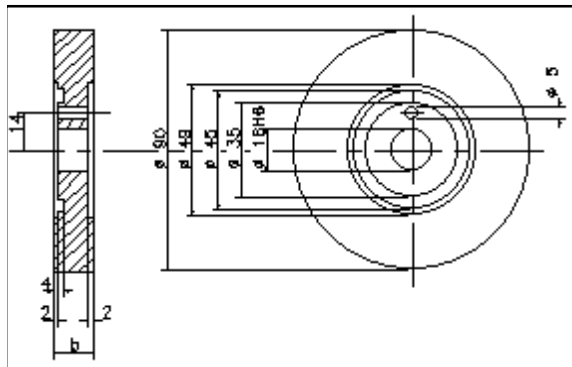
Price for special dimensions upon request

Prices incl. alloyage surcharge

Tapered milling cutters (e.g. DIN2999, NPT, etc.) 15% surcharge

Please specify pitch angle when ordering

Index G 30, GB 65, MS 36 (ø 90)



Prices incl. alloyage surcharge

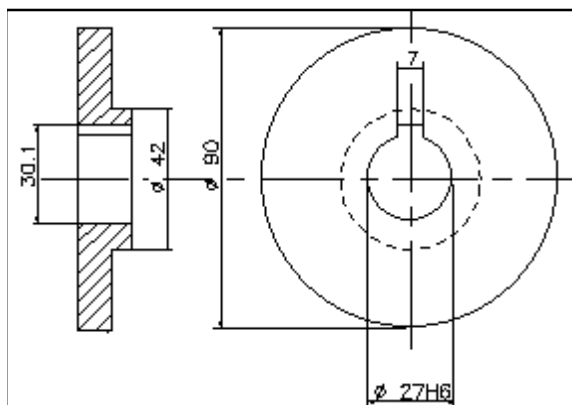
Width "b"	Price / unit
10 mm	440 €
12 mm	460 €
15 mm	470 €
18 mm	510 €
20 mm	530 €

Price for special dimensions upon request

Tapered milling cutters (e.g. DIN2999, NPT, etc.) 15% surcharge

Please specify pitch angle when ordering

Index ABC, Traub TNM (ø 90)



Prices incl. alloyage surcharge

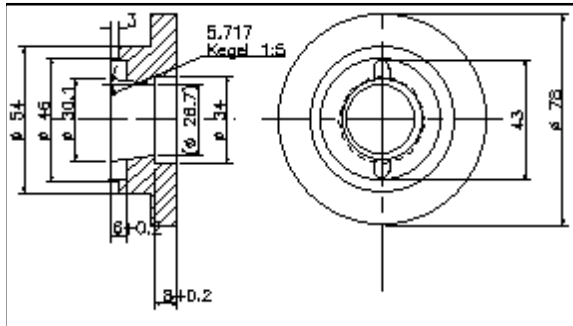
Width "b"	Price / unit
16/8 mm	420 €
16/10 mm	440 €
16/12 mm	460 €
16/15 mm	470 €
16/16 mm	500 €
18 mm	510 €
20 mm	530 €

Price for special dimensions upon request

Tapered milling cutters (e.g. DIN2999, NPT, etc.) 15% surcharge

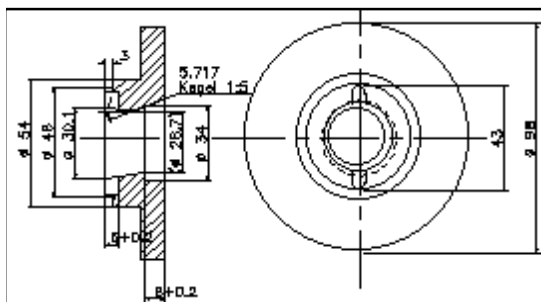
Please specify pitch angle when ordering

Schütte [Spitzenhöhe 40 mm] (∅ 78)



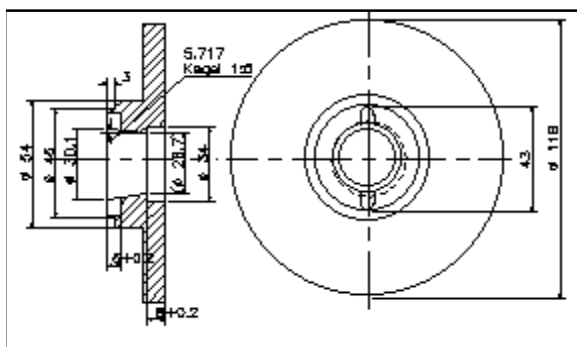
Width "b"	Price / unit
25/6 mm	460 €
25/8 mm	480 €
25/10 mm	510 €
25/13 mm	530 €
25/15 mm	540 €
25/16 mm	560 €
25/18 mm	570 €
25/20 mm	580 €

Schütte [Spitzenhöhe 50 mm] (∅ 98)



Width "b"	Price / unit
25/6 mm	480 €
25/8 mm	520 €
25/10 mm	540 €
25/13 mm	570 €
25/15 mm	580 €
25/16 mm	590 €
25/18 mm	600 €
25/20 mm	620 €

Schütte [Spitzenhöhe 60 mm] (∅ 118)



Width "b"	Price / unit
25/6 mm	560 €
25/8 mm	570 €
25/10 mm	590 €
25/13 mm	620 €
25/15 mm	630 €
25/16 mm	640 €
25/18 mm	650 €
25/20 mm	670 €
25/22 mm	690 €

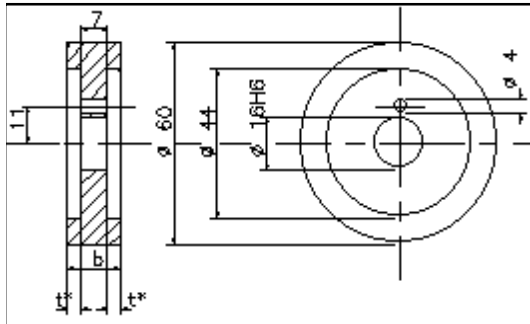
Prices incl. alloyage surcharge

Price for special dimensions upon request

Tapered milling cutters (e.g. DIN2999, NPT, etc.) 15% surcharge

Please specify pitch angle when ordering

Tornos SAS 14 / 16 (ø 60)



Width "b"	Price / unit
6 mm	220 €
8 mm	260 €
10 mm	290 €
12 mm	300 €
15 mm	320 €
16 mm	330 €
18 mm	350 €

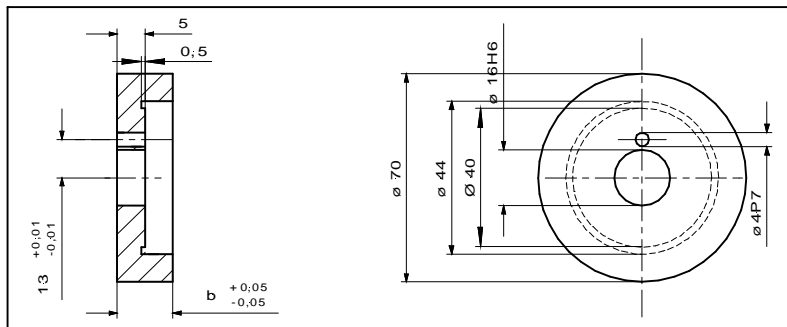
Price for special dimensions upon request

Prices incl. alloyage surcharge

Tapered milling cutters (e.g. DIN2999, NPT, etc.) 15% surcharge

Please specify pitch angle when ordering

Tornos BS 20 / Multi Deco (ø 70)



Width "b"	Price / unit
6 mm	290 €
8 mm	300 €
10 mm	320 €
12 mm	420 €
15 mm	440 €
16 mm	450 €
18 mm	500 €

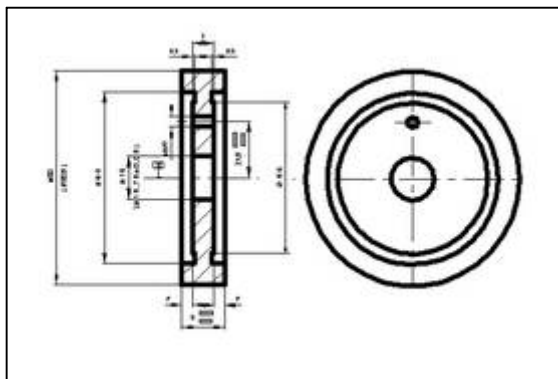
Price for special dimensions upon request

Prices incl. alloyage surcharge

Tapered milling cutters (e.g. DIN2999, NPT, etc.) 15% surcharge

Please specify pitch angle when ordering

Tornos Deco 2000 20/26 (ø 80)



Width "b"	Price / unit
6 mm	310 €
8 mm	330 €
10 mm	340 €
12 mm	460 €
15 mm	470 €

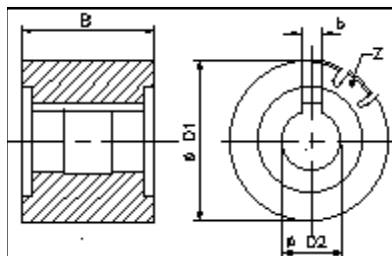
Price for special dimensions upon request

Tapered milling cutters (e.g. DIN2999, NPT, etc.) 15% surcharge

Please specify pitch angle when ordering

Prices incl. alloyage surcharge

Shaft-mounted thread milling cutters (KHSS-E)



Please specify when ordering :

- * Pitch; fluting; flank angle
- * Module; EW; BP
- * With or without hub
- * With or without lateral turned groove
- * Spiral or straight fluted

D1	B	Z	D2	b	Price / unit
32	20	8	13	3	upon request
32	25	8	13	3	upon request
36	20	8	13	3	upon request
36	25	8	13	3	upon request
36	32	8	13	3	upon request
40	25	8	16	4	upon request
40	32	8	16	4	upon request
40	40	8	16	4	upon request
50	32	10	22	6	upon request
50	40	10	22	6	upon request
50	50	10	22	6	upon request
63	40	12	27	7	upon request
63	50	12	27	7	upon request
63	63	12	27	7	upon request

Price for special dimensions upon request

Please specify flank angle and DIN of the clamping flat when ordering

Regrinding and resharpening of thread milling cutters

Dimensions	Price / unit	
	K-HSSE	solide carbide
ø 52-64 until width 19 mm	140 €	300 €
ø 65 - 74 until width 19 mm	190 €	330 €
ø 75 - 90 until width 19 mm	210 €	350 €
ø 91 - 118 until width 19 mm	250 €	480 €
ø 73.5 - 118 from width 19 mm	300 €	550 €
Double thread milling cutter	300 €	550 €

We regrind milling cutters of all manufacturers !